

Schlauchstutzen mit V-Bund und Losflansch

Festflansch mit Klemmbacken aus Aluminium, andere Werkstoffe und Abmessungen siehe „Klemmbacken“



Abbildung 1

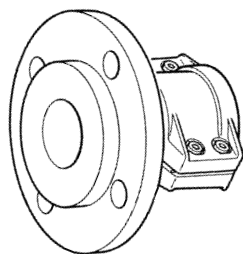
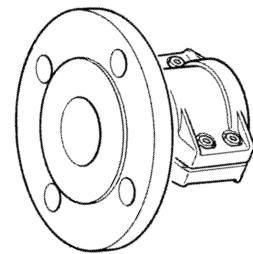


Abbildung 2



DN mm	Flansch	Werkstoff Stutzen / Losflansch	Gewicht kg	Abbildung	Artikelnummer
13 x 5,0	DN 15 PN 10/16	St	1,10	1	950,013005,211
13 x 5,0	DN 15 PN 10/16	St	1,00	2	960,013005,210
13 x 5,0	DN 15 PN 10/16	SS/St	1,10	1	950,013005,221
13 x 5,0	DN 15 PN 10/16	SS	1,10	1	950,013005,222
13 x 5,0	DN 15 PN 10/16	SS	1,00	2	960,013005,220
13 x 5,0	DN 15 PN 25/40	St	1,20	1	950,013005,411
13 x 5,0	DN 15 PN 25/40	St	1,10	2	960,013005,410
19 x 6,0	DN 20 PN 10/16	St	1,30	1	950,019006,211
19 x 6,0	DN 20 PN 10/16	St	1,20	2	960,019006,210
19 x 6,0	DN 20 PN 10/16	SS/St	1,30	1	950,019006,221
19 x 6,0	DN 20 PN 10/16	SS	1,30	1	950,019006,222
19 x 6,0	DN 20 PN 10/16	SS	1,20	2	960,019006,220
19 x 6,0	DN 20 PN 25/40	St	1,40	1	950,019006,411
19 x 6,0	DN 20 PN 25/40	St	1,30	2	960,019006,410
25 x 6,0	DN 25 PN 10/16	St	1,70	1	950,025006,211
25 x 6,0	DN 25 PN 10/16	St	1,50	2	960,025006,210
25 x 6,0	DN 25 PN 10/16	SS/St	1,70	1	950,025006,221
25 x 6,0	DN 25 PN 10/16	SS	1,70	1	950,025006,222
25 x 6,0	DN 25 PN 10/16	SS	1,50	2	960,025006,220
25 x 6,0	DN 25 PN 10/16	Pp/St	1,20	1	950,025006,251
25 x 6,0	DN 25 PN 10/16	Pp	0,60	1	950,025006,255
25 x 6,0	DN 25 PN 25/40	St	1,90	1	950,025006,411
25 x 6,0	DN 25 PN 25/40	St	1,60	2	960,025006,410
25 x 6,0	DN 25 PN 25/40	SS/St	1,90	1	950,025006,421
25 x 6,0	DN 25 PN 25/40	SS	1,90	1	950,025006,422
25 x 6,0	DN 25 PN 25/40	SS	1,60	2	960,025006,420
32 x 6,0	DN 32 PN 10/16	St	2,30	1	950,032006,211
32 x 6,0	DN 32 PN 10/16	St	2,00	2	960,032006,210
32 x 6,0	DN 32 PN 10/16	SS/St	2,30	1	950,032006,221
32 x 6,0	DN 32 PN 10/16	SS	2,30	1	950,032006,222
32 x 6,0	DN 32 PN 10/16	SS	2,00	2	960,032006,220
32 x 6,0	DN 32 PN 10/16	Pp/St	1,70	1	950,032006,251
32 x 6,0	DN 32 PN 10/16	Pp	0,90	1	950,032006,255
38 x 6,5	DN 40 PN 10/16	St	2,80	1	950,038007,211
38 x 6,5	DN 40 PN 10/16	St	2,30	2	960,038007,210
38 x 6,5	DN 40 PN 10/16	SS/St	2,80	1	950,038007,221
38 x 6,5	DN 40 PN 10/16	SS	2,80	1	950,038007,222
38 x 6,5	DN 40 PN 10/16	SS	2,30	2	960,038007,220
38 x 6,5	DN 40 PN 10/16	Pp/St	2,00	1	950,038007,251

Schlauchstutzen mit V-Bund und Losflansch

Festflansch mit Klemmbacken aus Aluminium, andere Werkstoffe und Abmessungen siehe „Klemmbacken“



Abbildung 1

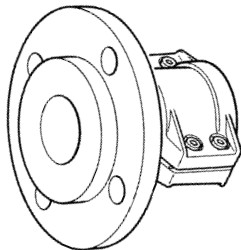
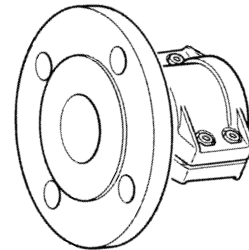


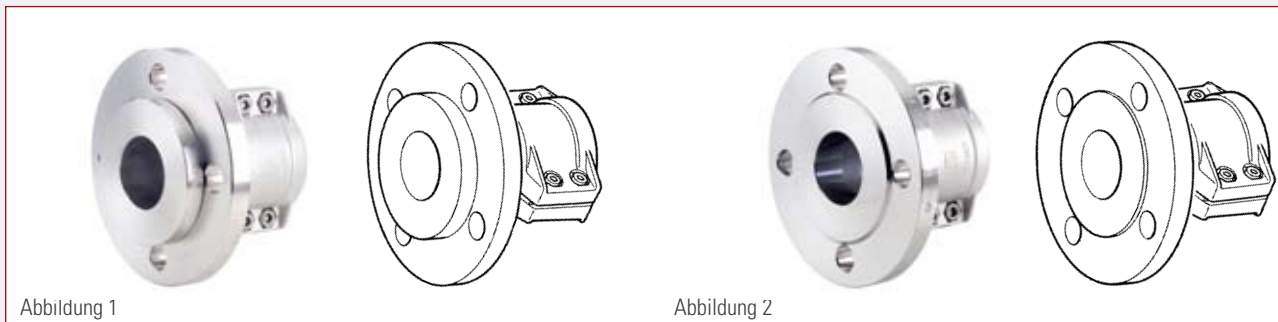
Abbildung 2



DN	Flansch	Werkstoff	Gewicht	Abbildung	Artikelnummer
mm		Stutzen / Losflansch	kg		
38 x 6,5	DN 40 PN 10/16	Pp	0,90	1	950.038007.255
38 x 6,5	DN 40 PN 25/40	St	3,00	1	950.038007.411
38 x 6,5	DN 40 PN 25/40	St	2,80	2	960.038007.410
40 x 7,0	DN 40 PN 10/16	St	2,90	1	950.040007.211
40 x 7,0	DN 40 PN 10/16	St	2,40	2	960.040007.210
40 x 7,0	DN 40 PN 10/16	SS/St	2,90	1	950.040007.221
40 x 7,0	DN 40 PN 10/16	SS	2,90	1	950.040007.222
40 x 7,0	DN 40 PN 10/16	SS	2,40	2	960.040007.220
40 x 7,0	DN 40 PN 10/16	Pp/St	2,10	1	950.040007.251
40 x 7,0	DN 40 PN 10/16	Pp	1,00	1	950.040007.255
50 x 8,0	DN 50 PN 10/16	St	3,60	1	950.050008.211
50 x 8,0	DN 50 PN 10/16	St	3,20	2	960.050008.210
50 x 8,0	DN 50 PN 10/16	SS/St	3,60	1	950.050008.221
50 x 8,0	DN 50 PN 10/16	SS	3,60	1	950.050008.222
50 x 8,0	DN 50 PN 10/16	SS	3,20	2	960.050008.220
50 x 8,0	DN 50 PN 10/16	Pp/St	2,40	1	950.050008.251
50 x 8,0	DN 50 PN 10/16	Pp	1,10	1	950.050008.255
50 x 8,0	DN 50 PN 25/40	St	4,20	1	950.050008.411
50 x 8,0	DN 50 PN 25/40	St	3,50	2	960.050008.410
50 x 8,0	DN 50 PN 25/40	SS	4,20	1	950.050008.422
50 x 8,0	DN 50 PN 25/40	SS	3,50	2	960.050008.420
63 x 8,0	DN 65 PN 10/16	St	4,60	1	950.065007.211
63 x 8,0	DN 65 PN 10/16	St	4,10	2	960.065007.210
63 x 8,0	DN 65 PN 10/16	SS/St	4,60	1	950.065007.221
63 x 8,0	DN 65 PN 10/16	SS	4,60	1	950.065007.222
63 x 8,0	DN 65 PN 10/16	SS	4,10	2	960.065007.220
63 x 8,0	DN 65 PN 10/16	Pp/St	3,10	1	950.065007.251
63 x 8,0	DN 65 PN 10/16	Pp	1,70	1	950.065007.255
75 x 8,0	DN 80 PN 10/16	St	6,10	1	950.075008.211
75 x 8,0	DN 80 PN 10/16	St	4,90	2	960.075008.210
75 x 8,0	DN 80 PN 10/16	SS/St	6,10	1	950.075008.221
75 x 8,0	DN 80 PN 10/16	SS	6,10	1	950.075008.222
75 x 8,0	DN 80 PN 10/16	SS	4,90	2	960.075008.220
75 x 8,0	DN 80 PN 10/16	Al/St	4,30	1	950.075008.241
75 x 8,0	DN 80 PN 10/16	Al	2,30	1	950.075008.244
75 x 8,0	DN 80 PN 10/16	Pp/St	3,80	1	950.075008.251
75 x 8,0	DN 80 PN 10/16	Pp	2,00	1	950.075008.255

Schlauchstutzen mit V-Bund und Losflansch

Festflansch mit Klemmbacken aus Aluminium, andere Werkstoffe und Abmessungen siehe „Klemmbacken“



DN mm	Flansch	Werkstoff Stutzen / Losflansch	Gewicht kg	Abbildung	Artikelnummer
80 x 8,0	DN 80 PN 10/16	St	6,20	1	950.080008.211
80 x 8,0	DN 80 PN 10/16	St	5,00	2	960.080008.210
80 x 8,0	DN 80 PN 10/16	SS/St	6,20	1	950.080008.221
80 x 8,0	DN 80 PN 10/16	SS	6,20	1	950.080008.222
80 x 8,0	DN 80 PN 10/16	SS	5,00	2	960.080008.220
100 x 8,0	DN 100 PN 10/16	St	8,40	1	950.100008.211
100 x 8,0	DN 100 PN 10/16	St	7,00	2	960.100008.210
100 x 8,0	DN 100 PN 10/16	SS/St	8,40	1	950.100008.221
100 x 8,0	DN 100 PN 10/16	SS	8,40	1	950.100008.222
100 x 8,0	DN 100 PN 10/16	SS	7,00	2	960.100008.220
100 x 8,0	DN 100 PN 10/16	Al/St	5,60	1	950.100008.241
100 x 8,0	DN 100 PN 10/16	Pp/St	4,90	1	950.100008.251
100 x 8,0	DN 100 PN 10/16	Pp	3,00	1	950.100008.255
125 x 10,0	DN 125 PN 10/16	St	11,0	1	950.125010.211
125 x 10,0	DN 125 PN 10/16	St	10,4	2	960.125010.210
125 x 10,0	DN 125 PN 10/16	SS/St	11,0	1	950.125010.221
125 x 10,0	DN 125 PN 10/16	SS	11,0	1	950.125010.222
125 x 10,0	DN 125 PN 10/16	SS	10,4	2	960.125010.220
150 x 10,0	DN 150 PN 10/16	St	16,5	1	950.150010.211
150 x 10,0	DN 150 PN 10/16	St	16,0	2	960.150010.210
150 x 10,0	DN 150 PN 10/16	SS/St	16,5	1	950.150010.221
150 x 10,0	DN 150 PN 10/16	SS	16,5	1	950.150010.222
150 x 10,0	DN 150 PN 10/16	SS	16,0	2	960.150010.220
150 x 10,0	DN 150 PN 10/16	Al/St	12,0	1	950.150010.241
200 x 12,0	DN 200 PN 10	St	26,9	1	950.200012.111
200 x 12,0	DN 200 PN 10	St	25,7	2	960.200012.110
200 x 12,0	DN 200 PN 16	St	25,7	1	950.200012.211
200 x 12,0	DN 200 PN 16	St	25,4	2	960.200012.210